



TAKUMI

H Series



High Speed Bridge Type
Machining Center

H22S/T
H32S/T
H42S
H52S

02 Product Preview

Basic Information

- 03 Basic Structure
- 05 Frame
- 07 Spindle
- 09 Feed Axis
- 11 Automatic Tool Changer

Machine Information

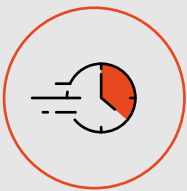
- 13 User Convenience
- 15 Diagrams
- 17 Machine Specification
- 18 Standard & Optional

CONTENTS



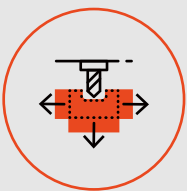
High rigidity frame structure

The solid one-piece bed, column and cross rail design with no weldments, provides excellent support. The base width provides stability for large table loads. Cross rail saddle carries a constant weight which results in excellent part finish at fast cutting speeds.



High speed, high accuracy

The H Series meet the requirement of high accuracy and high speed simultaneously thanks to the optimal mechanical structure, high response axial transmission system, low vibration and excellent thermal controlled spindle.



Largest Y-axis travel in its class

The H series large work envelope, which can machine large workpieces that are difficult to handle by other machines in the same class.

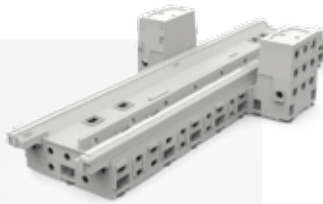
H Series

The Takumi H Series machining centers are designed for high dynamic and accuracy as demonstrated in both surface finish quality and consistent precision.



Basic Structure

01



High rigidity frame structure

High rigidity one-piece bed, column and cross rail providing excellent stability as the casting absorbs the thrust forces of high rapids, while the “ladder” design of the cross rail, enables the spindle to be stable and powerful at high speeds.

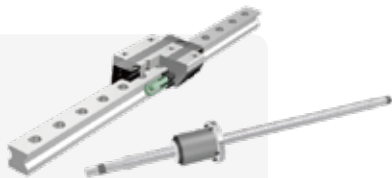
02



High speed built-in spindle

The high-power built-in spindle limits vibration, noise and power loss during high speeds to achieve superior part finish. The helical cooling channel design minimizes thermal distortion and enables precision over extended cycle times.

03



High speed, stable axis structure

The H Series are equipped with roller type LM guideways that offer the best combination of high speed and superior rigidity. High precision ballscrews are connected directly to axis motors.

04



ATC and magazine

H Series offer a wide range of magazine capacity options, from 20 tools even up to 48 tools.

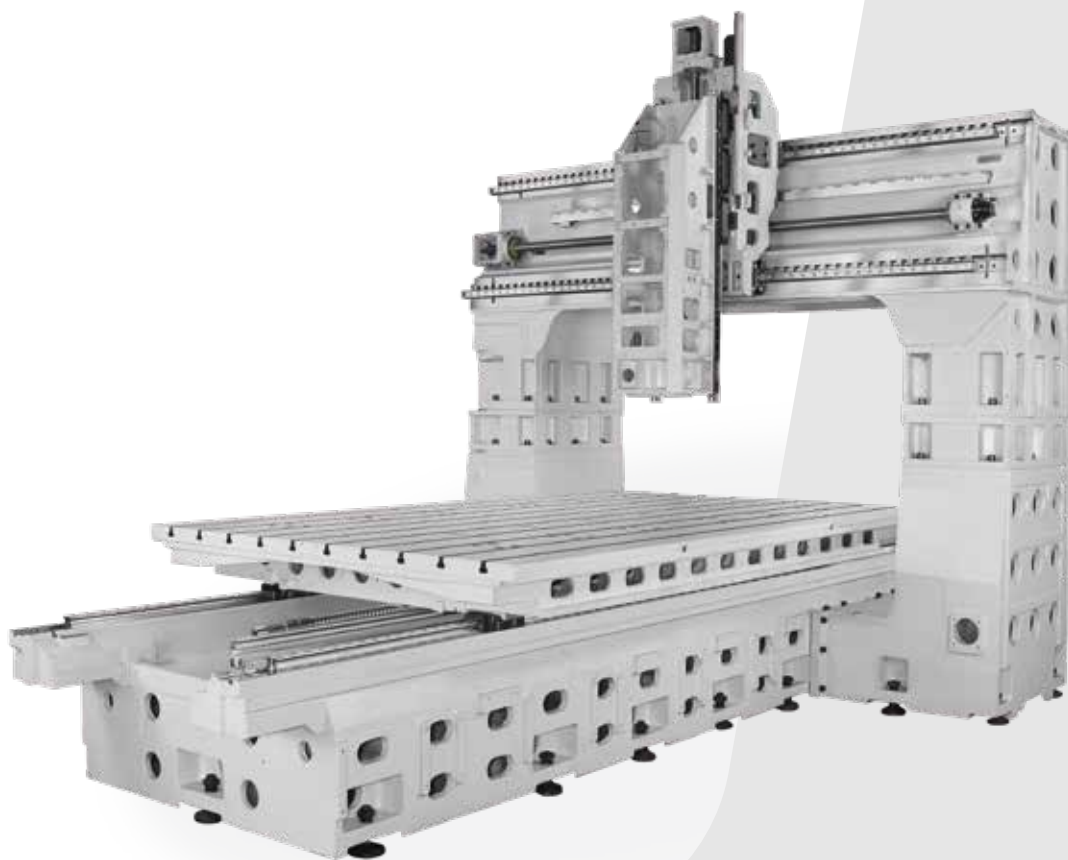
05



User convenience

The H series are built ergonomically for simple operation. Large door opening to the working area gives the operator impressive freedom and handling space.

H Series



H22S

20/20/20

m/min Rapid traverse (X/Y/Z-axis)

2000/1600/800

mm Travel (X/Y/Z-axis)

H22T

20/16/20

m/min Rapid traverse (X/Y/Z-axis)

2200/2200/800

mm Travel (X/Y/Z-axis)

H32S

16/20/20

m/min Rapid traverse (X/Y/Z-axis)

3200/1600/800

mm Travel (X/Y/Z-axis)

H32T

16/16/20

m/min Rapid traverse (X/Y/Z-axis)

3200/2200/800

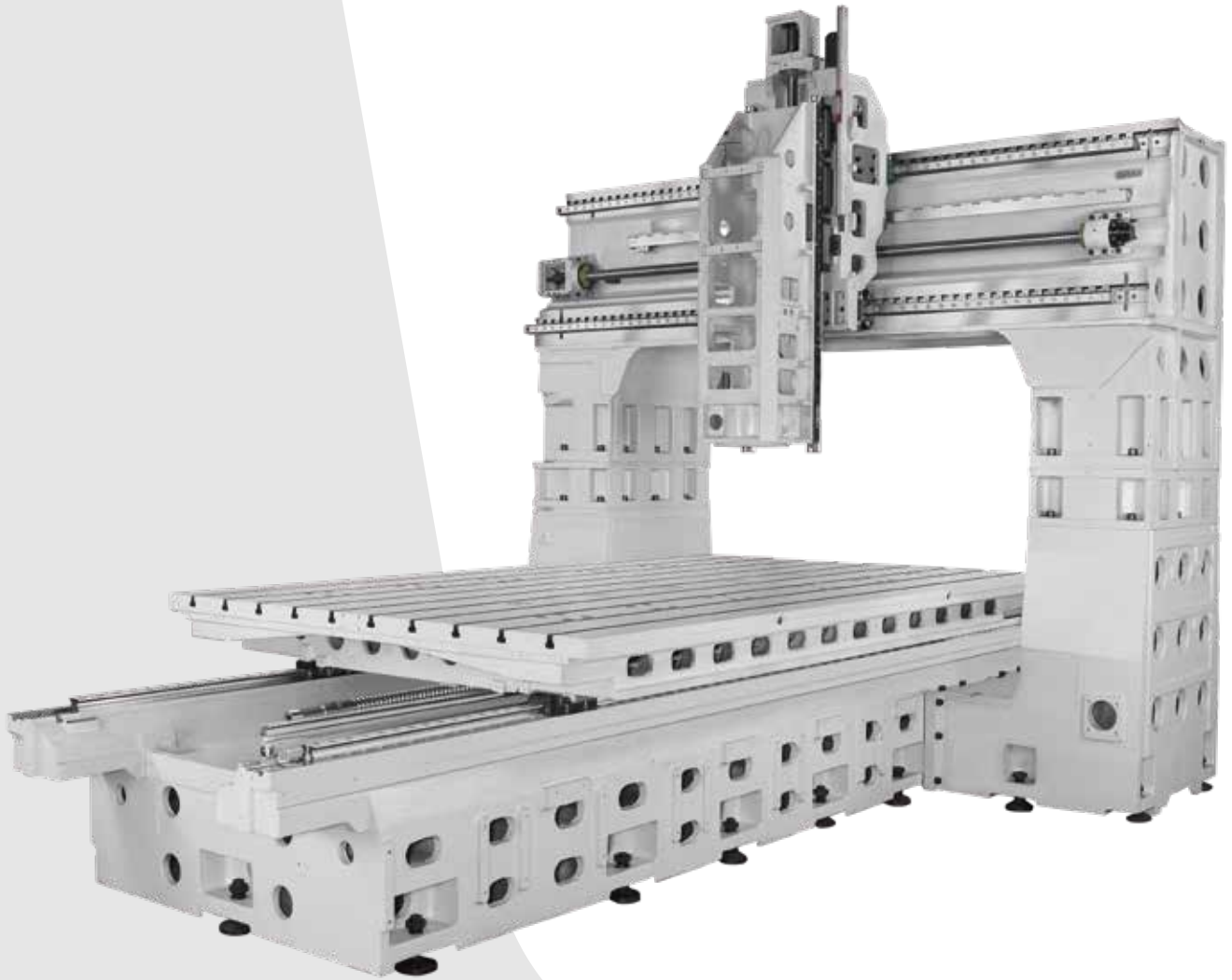
mm Travel (X/Y/Z-axis)

Basic Information

- Frame

Machine Information

05
Frame



01 H Series Frame



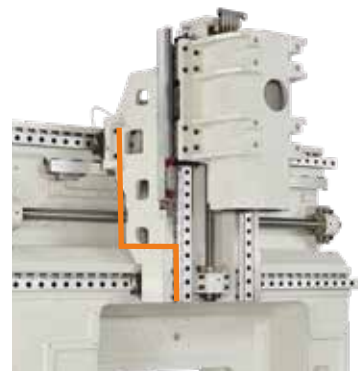
Robust one-piece casting bed

Integrated bed frame ensures high rigidity, excellent vibration absorption and outstanding surface finishes, especially when compared to separate structures.

The base width provides stability for heavy table loads even when operating at high speed.

Outstanding ladder structure on the beam

The bridge utilizes a “ladder design” head casting and saddle which increases rigidity, reduces overhang and eliminates head deflection. The Y-axis cross rail saddle carries a constant weight, allowing for faster cutting while maintaining excellent part finish.



Double column structure

The one-piece design provides increased weight to absorb cutting vibration, and increased rigidity. The dual contact areas with the base eliminates pitch in the Y-axis and reduces the effect of machine leveling changes over time.

Hand scraping

Accuracy is ensured by hand scraped contact points. Contact surfaces such as column to base components, spindle cartridge to spindle housing, ball screw bearing block seats to bearing retainer and worktable to linear guide trucks and motor seat. Hand scraping results in better mating surfaces of key components and will provide consistent results over a longer period of time.

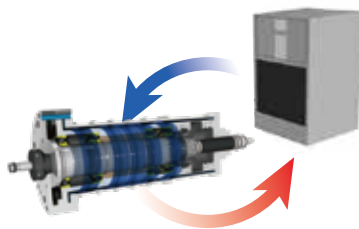


02 H Series Spindle



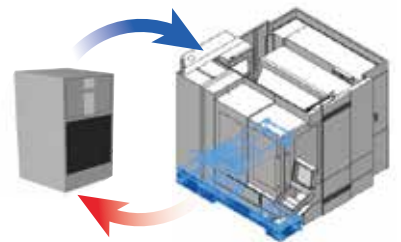
High Speed Built-in Spindle **option**

The high-power built-in spindle limits vibration, noise and power loss during high speeds to achieve superior part finish. The helical cooling channel design minimizes thermal distortion and enables precision over extended cycle times.



Stable Spindle Cooling Circulation

Spindle temperature is constantly controlled by oil chiller. Our test result have proven that the temperature of the circulating oil is controlled within $\pm 0.2^{\circ}\text{C}$. which minimizes thermal displacement during continuous operation at high speed.



Cutting Coolant Chiller **option**

The coolant chiller reduces the temperature of the cutting fluid before it is circulated through the machine. The cooler has effectively reduced the deviation and leads to excellent accuracy of the workpieces and extends the life of cutting tool by stabilizing coolant temperature.

Spindle Power - Torque Curve

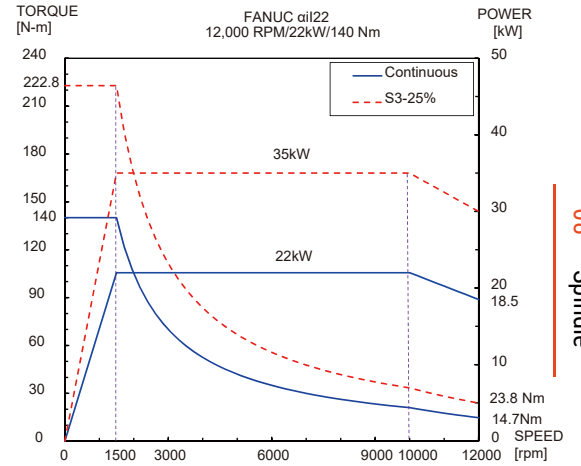
12,000rpm Direct drive spindle (ST: H22S/T, H32S/T)

22/35

140/222.8

kW Power (Cont./S3-25%)

N.m Torque (Cont./S3-25%)



08 Spindle

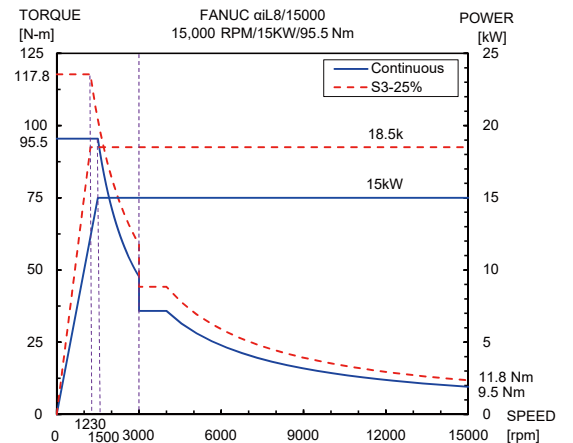
15,000rpm Direct drive spindle (OPT: H22S/T, H32S/T)

15/18.5

95.5/117.8

kW Power (Cont./S3-25%)

N.m Torque (Cont./S3-25%)



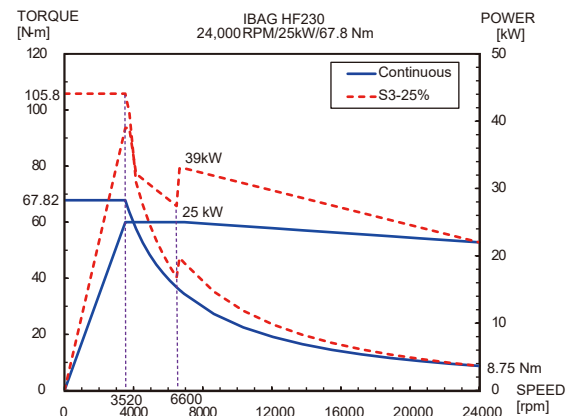
24,000rpm IBAG Built-in spindle (OPT:H22S/T, H32S/T)

25/39

67.82/105.8

kW Power (Cont./S3-25%)

N.m Torque (Cont./S3-25%)





03 H Series Feed Axis

H22S **20/20/20**
m/min Rapid traverse rate (X/Y/Z-axis)

H22T **20/16/20**
m/min Rapid traverse rate (X/Y/Z-axis)

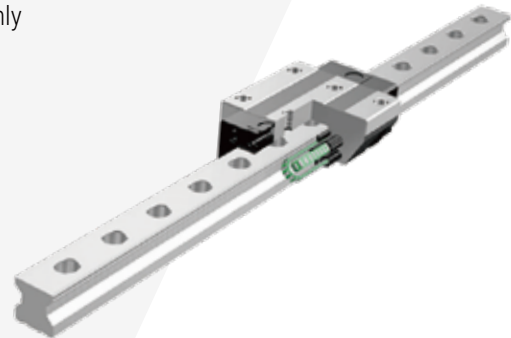
H32S **16/20/20**
m/min Rapid traverse rate (X/Y/Z-axis)

H32T **16/16/20**
m/min Rapid traverse rate (X/Y/Z-axis)



High Rigidity Rotating Nuts Design

With the rotating nuts design, the screw remains fixed and the nut is rotated to achieve linear motion. This not only allows greater speeds, but also greater strokes.



Roller Type LM Guide

All axes are equipped with LM roller guideways. These features higher load capacity and greater rigidity even at high acceleration. Additionally, they have greater contact area to support faster feeds, higher rigidity and higher weight bearing capability.

Larger Ballscrew

H series are equipped with high precision ballscrews, featuring high load capacity while also providing high durability and rigidity.

With $\phi 63\text{mm}$ larger ballscrews provide rigidity and accuracy during heavy cutting.



High-Accuracy Linear Scales

Linear scales are optional on all 3 axes. Mounted to the table, cross rail and head they take a direct reading of the true position of the axes. This compensates for thermal growth of the ballscrews mechanical flex and backlash, for improved accuracy and repeatability during the life of the machine.



ATC

The ATC is mounted outside of the work area, with a door protecting the mechanisms of the tool changer, keeping tools and tool changer from chips and coolant.



Tool magazine for various types of tools

The tool magazine can store up to 20 tools as standard and up to maximum 48 tools as option depending on the model. Optional servo driven magazine ensures fast and reliable tool indexing.

04

H Series Automatic Tool Changer

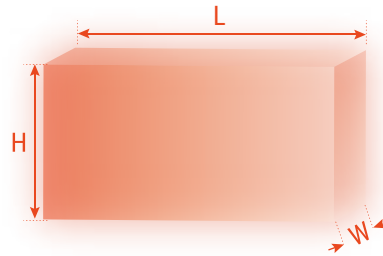
Maximum workpiece weight

H22S/T **8000** kg

H32S/T **8500** kg

Maximum workpiece size (L x W x H)

H22S	1600 x 2200 x 800mm
H22T	2200 x 2200 x 800mm
H32S	1600 x 3200 x 800mm
H32T	2250 x 3200 x 800mm



The H series are built ergonomically for simple operation and uncomplicated maintenance.



01 Optimal Ergonomic Design

The operation panel can swivel 120°, and the height can be adjusted to the operator's viewpoint.

02 Large Door Opening

Large door opening to the working area gives the operator impressive freedom and handling space.

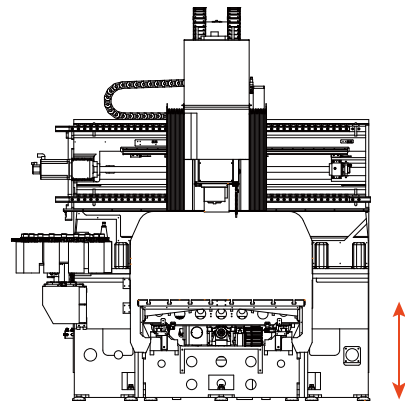
H22S/T **2210**
mm width of the door

H32S/T **3155**
mm width of the door

05 H Series
User Convenience

Ergonomic Design

Large door opening to the working area give the operator impressive freedom and loading and unloading space.



- **Large door opening:**

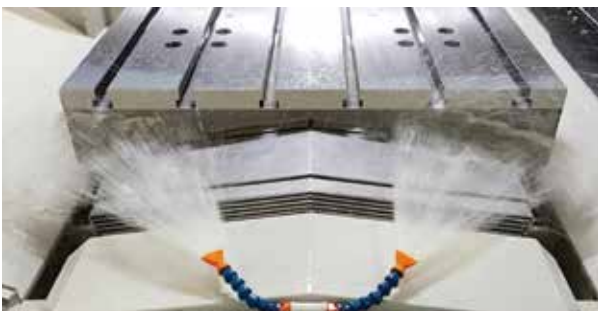
- 2210mm (H22S/T)
- 3155mm (H32S/T)

- **Distance from floor surface to table top:**

- 970mm (H22S/T, H32S/T)

Rear Side Flushing Coolant System

The design of the sloping way covers, tilt of the bed casting and the flushing coolant system on H10 provides excellent chip removal.



Effective Chip Removal Solutions

High pressure coolant and/or air through the spindle and other chip removal solutions help wash away chips from hole drilling, tapping and other machining. By effectively cooling and flushing, tool life can be greatly extended.



Air through spindle

Spindle cooling splash

Dual Chip Auger

Chip removal efficiency is greatly enhanced thanks to the dual screw type augers.

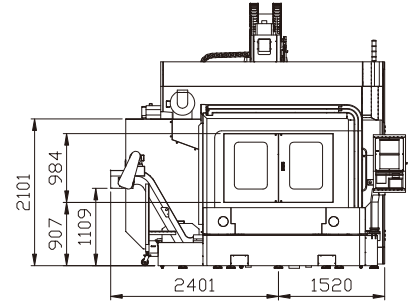
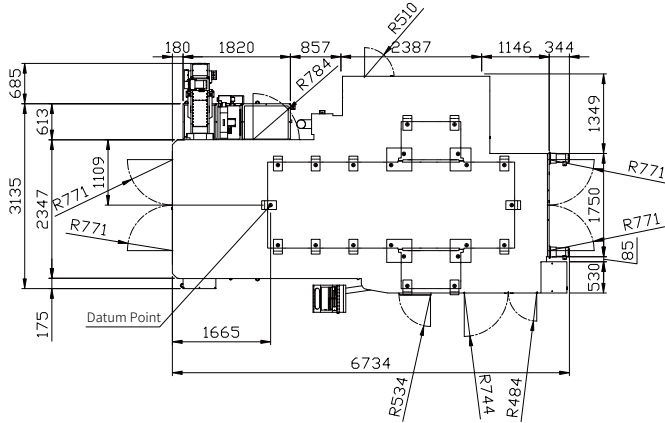


30 bar coolant through spindle

External Dimension

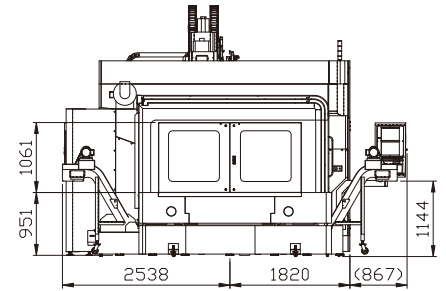
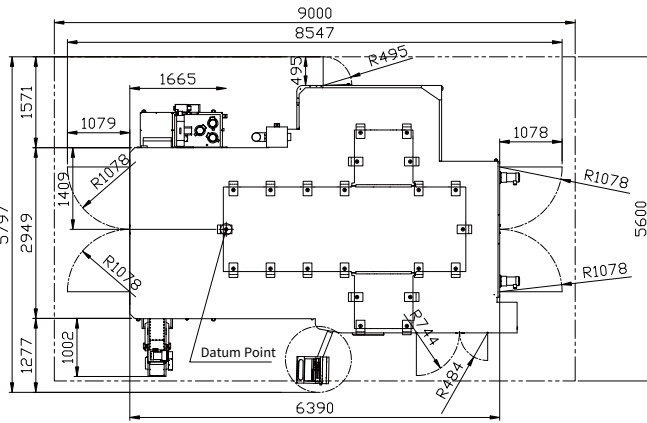
H22S

Unit : mm



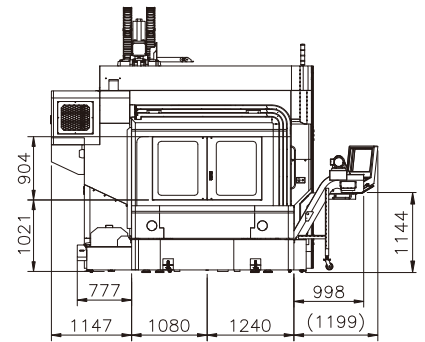
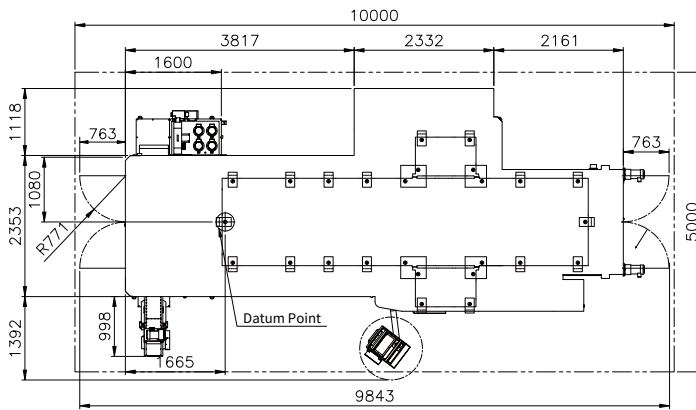
H22T

Unit : mm



H32S

Unit : mm



H32T

Unit : mm

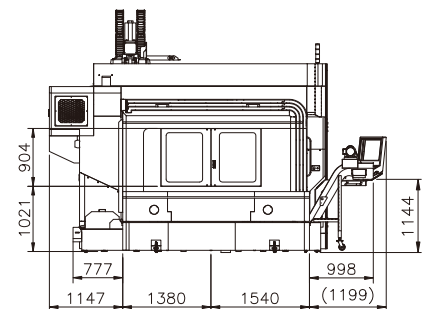
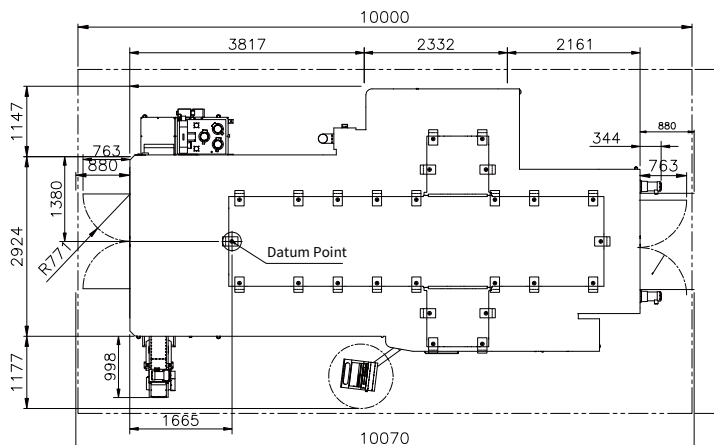
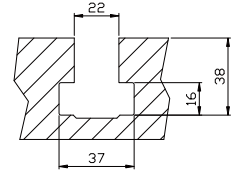
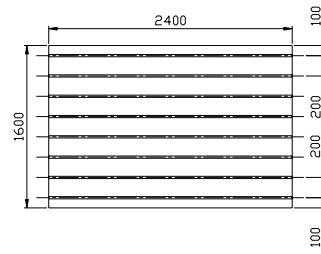
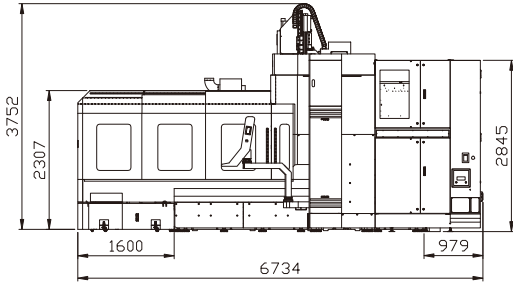
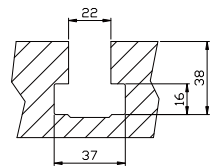
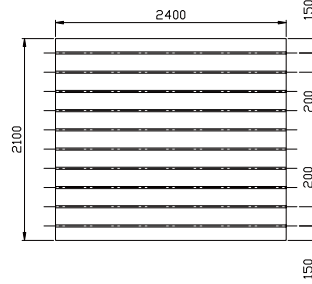
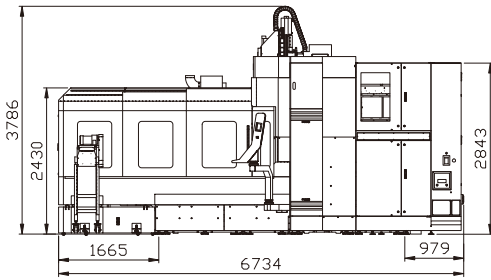


Table & T-Slot Dimension

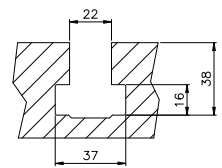
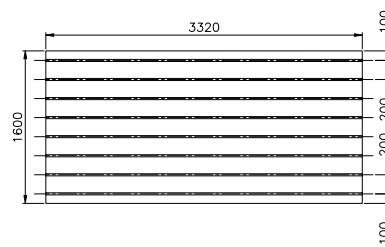
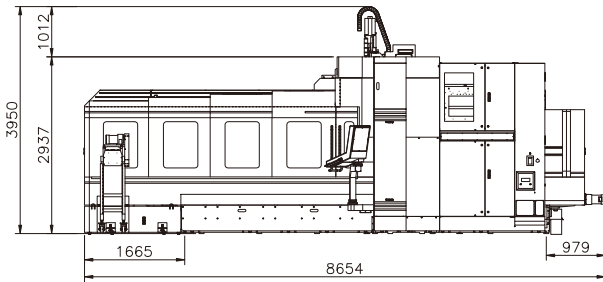
Unit : mm



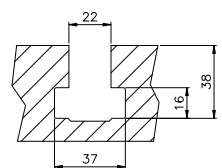
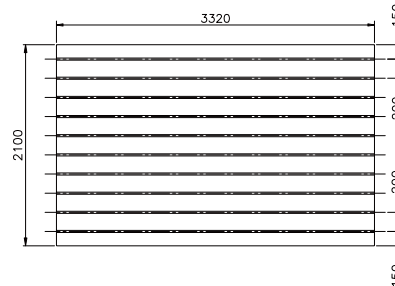
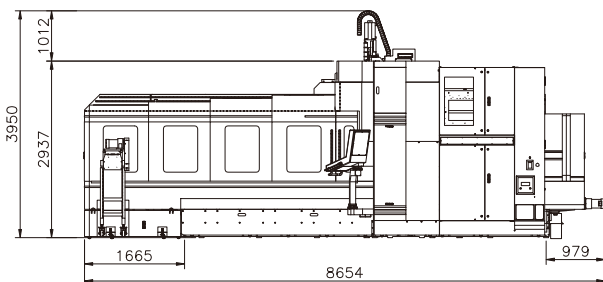
Unit : mm



Unit : mm



Unit : mm



Machine Specification

Travel	H22S	H22T	H32S	H32T
X/Y/Z-axis	2200 / 1600 / 800mm	2200 / 2200 / 800mm	3200 / 1600 / 800mm	3200 / 2200 / 800mm
Distance from spindle nose to table	150-950mm			
Distance between columns	1750mm	2350mm	1750mm	2350mm

Table

Dimension	2400 x 1600mm	2400 x 2100mm	3320 x 1600mm	3320 x 2100mm
Max. load	8000kg		8500kg	
T-slot (width x pitch x number)	22 x 200 x 8mm	22 x 200 x 10mm	22 x 200 x 8mm	22 x 200 x 10mm

Spindle

Spindle type	Direct drive			
Spindle speed	12000rpm			
Spindle rated torque	22 kW/35 kW (Cont./S3-25%)			
Spindle taper	BBT50			

Feed

Rapid feed (X/Y/Z)	20/20/20m/min	20/16/20m/min	16/20/20m/min	16/16/20m/min
Cutting feed	1~12000mm/min			
Motor power (X/Y/Z)	9.0/9.0/6.0kW			

ATC & Magazine

ATC type	Armless			
Number of tools	20pcs			
Max. tool diameter (next pockets empty)	105/150mm			
Max. tool length	300mm			
Max. tool weight	7kg			
Tool shank	BBT50			

Supply

Air pressure	6kgf/cm ²			
Electric power supply	75kVA			

Net Weight

Machine weight	27000kg	31000kg	33000kg	37000kg
----------------	---------	---------	---------	---------

Travel

	H42S	H52S
X/Y/Z-axis	4200 / 1600 / 800mm	5200 / 1600 / 800mm
Distance from spindle nose to table	150-950mm	
Distance between columns	1750mm	

* The specifications and information may be changed without prior notice.

Standard & Optional

● : Standard ○ : Option ✕ : Non Applicable

Spindle		H22S	H22T	H32S	H32T
12,000rpm		●	●	●	●
15,000rpm		○	○	○	○
24,000rpm		○	✕	✕	✕
ATC					
	20T	●	●	●	●
ATC Extention	30T	○	○	○	○
	32T	○	○	○	○
	48T	○	○	○	○
	BBT40	○	○	○	○
Tool Shank Type	BBT50	●	●	●	●
	HSK-63A	○	○	○	○
Coolant System					
Coolant Through Spindle Ready (w/o filter)		○	○	○	○
Coolant Through Spindle	30bar	○	○	○	○
	70bar	○	○	○	○
	70bar ready (w/o filter system)	○	○	○	○
Air Through Spindle (w/o CTS)		○	○	○	○
Cutting Air Blast		●	●	●	●
Cutting Coolant Chiller		○	○	○	○
Chip Disposal					
Coolant Tank & Coolant Flushing System		●	●	●	●
Full Chip Enclosure		●	●	●	●
Chip Disposal	Steel Belt Type	●	●	●	●
	Scraper Type	○	○	○	○
Feed Axis					
Linear Scales (X/Y/Z)		●	●	●	●
3-Axis Absolute Encoder Motors		●	●	●	●
Y/Z-Axis Ballscrew Cooling		○	○	○	○
Electric Device					
3-Color Signal Light		●	●	●	●
Working Light		●	●	●	●
Air Conditioner for Electric Cabinet		●	●	●	●
Measuring Device					
Workpiece Measurement		○	○	○	○
Tool Measurement		○	○	○	○
Environment					
Oil Skimmer		●	●	●	●
Oil Mist Collector		○	○	○	○
Oil Mist Cutting Device		○	○	○	○
Control					
Fanuc 0iMF-Plus 10.4"		●	●	●	●
Fanuc 31iMB		○	○	○	○
Heidenhain TNC620/TNC640		○	○	○	○
Transformer / Stabilizer					
Transformer 75kVA 3P 600V		○	✕	○	○
Stablizer 75kVA, 220V or 380V Instead of Transformer		○	✕	○	○
Transformer + Stabilizer		○	✕	○	○
ETC					
Leveling Block and Screws		●	●	●	●
Maintenance Tools		●	●	●	●
Manuals		●	●	●	●
Washing Gun & Air Gun		●	●	●	●
Manual Pulse Generator		●	●	●	●
USB / Ethernet / RS-232C Interface		●	●	●	●
Automatic Centralized Lubrication System		●	●	●	●
250mm Raiser for Column		○	○	○	○
CE Certified		○	○	○	○

TAKUMI When Precision Matters



TAKUMI

No.10, Gong 10th Rd., Dajia Distr., Taichung City 437, Taiwan

T +886 4 26811215

F +886 4 26822803

sales-os@takumi.com.tw

www.takumi.com.tw

